

Description

Single-double pipe distributors are equipped with an adjustable by-pass which allows obtaining different water supply percentages to the radiator.

The connection is made via a nut and two different adapters: the first one 1/2 "F, the second one 3/4" M Euroconus.



Products

Article	Model	Floor connection	Radiator connection
902	Straight valve	3/4" euroconus	G 1/2"
904	Straight valve	3/4" euroconus	3/4" euroconus

Article	Model	Wall connection	Radiator connection
903	Angle valve	3/4" euroconus	G 1/2"
905	Angle valve	3/4" euroconus	3/4" euroconus

Technical features

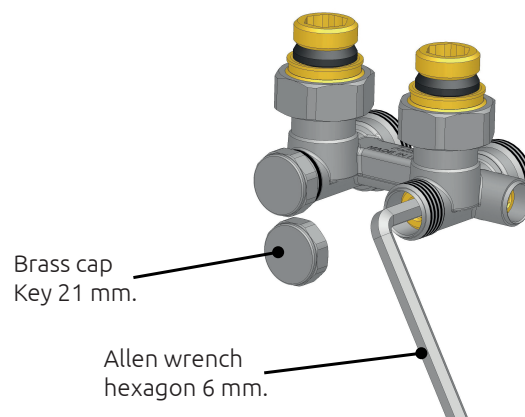
Operating data	
Maximum pressure:	10 bar
Maximum Temperature:	120°C
Working fluid:	Water

Materials	
Body and Nut:	Brass CW617N - UNI EN 12165
Remaining parts:	Brass CW617N - UNI EN 12164
Sealing parts:	EPDM Perox

Lockshields adjustment

If you want to exclude a radiator from the system or if you need to balance the circuit through the lockshields, you must do the following:

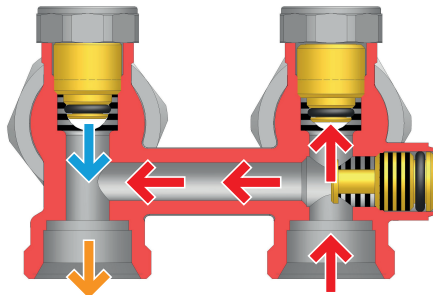
- 1) Unscrew the brass cap with a 21 mm wrench.
- 2) Adjust the lockshield's opening/closing with a 6 mm hexagonal Allen wrench.
- 3) Screw the protective cap back on.



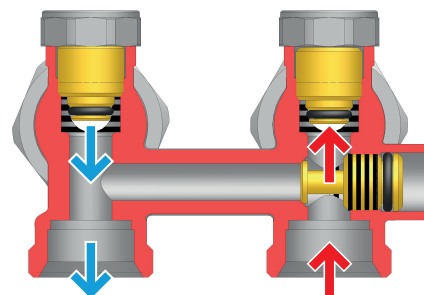
By-pass regulation

The valves allow installation on single pipe (open by-pass) and double pipe (closed by-pass) systems.

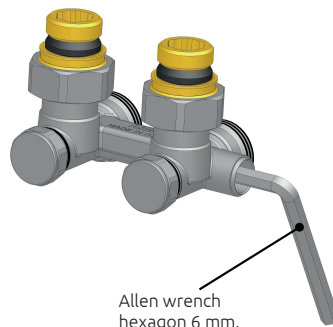
SINGLE PIPE



DOUBLE PIPE



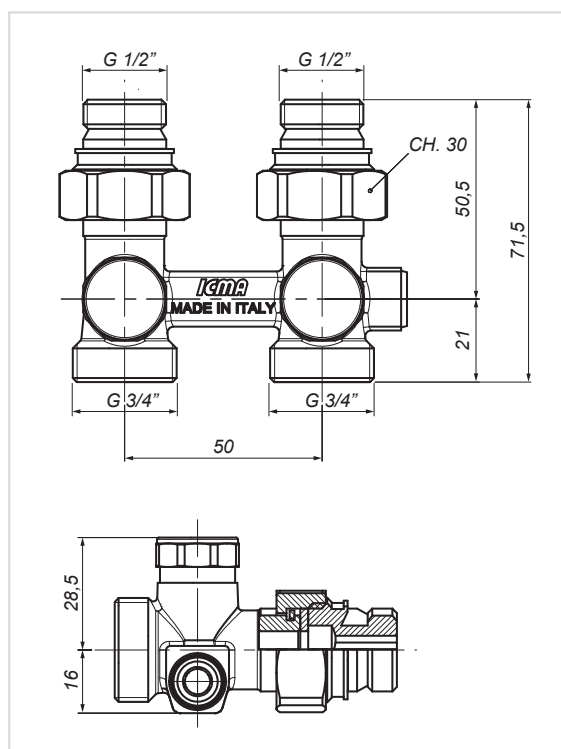
The adjustment of the different percentages of water inflow can be set by acting with an Allen key.



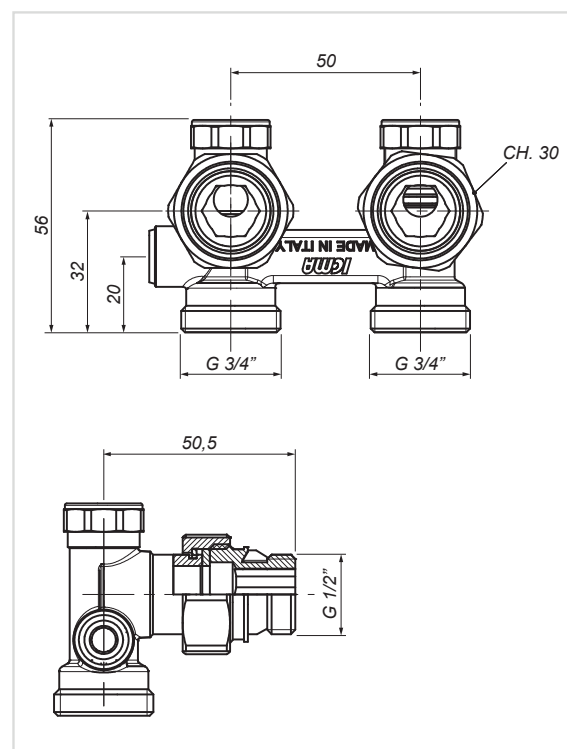
Allen wrench hexagon 6 mm.

Dimensions

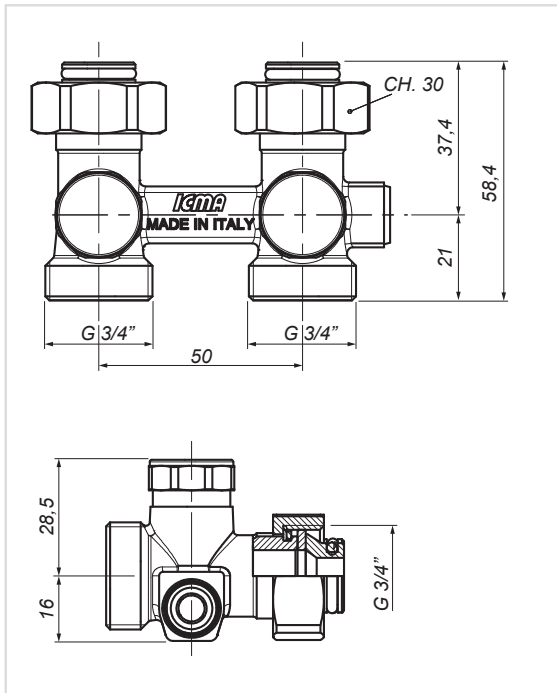
Art. 902



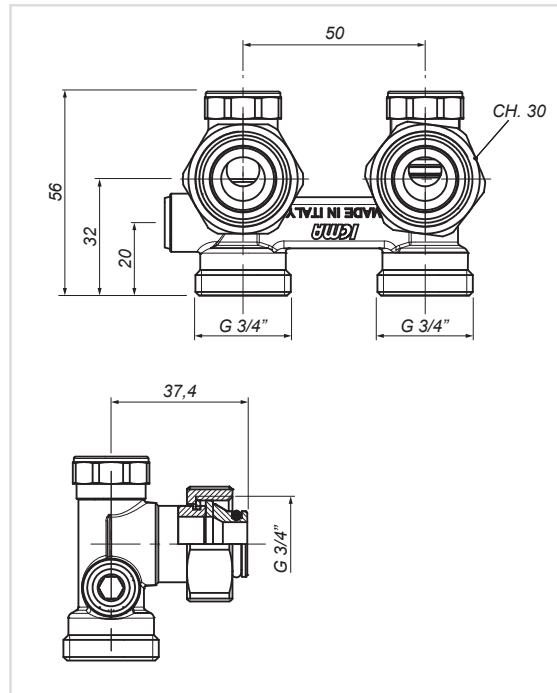
Art. 903



Art. 904



Art. 905



/ Accessories



Article	Size	Fitting thread	Code
989	1/2"	3/4"	81898AD05

Union with gasket for panels 1/2" Female.



Article	Fitting thread	Code
899	3/4"	81899AD05

Adaptor for panels 3/4" Male.