

FUNCTION

Lockshields are articles used to shut off and adjusting the flow rate of the heat transfer fluid to the radiators of air conditioning systems.

Lockshields of this series are complete with nuts and unions that allow connection to the radiator in a simple and safe way. The connections for the pipes instead are specific to the copper pipe, multilayer and Pe-X with threads from da G1/2", M24X1,5 and G1/2", and for iron pipe with threads from G3/8", G1/2", G3/4".



922-942



925-945



952



955

PRODUCTS

LOCKSHIELDS FOR COPPER PIPE, MULTILAYER AND Pe-X

		Connection	Radiator
82922AC06	Angle lockshield for copper pipe, multilayer and Pe-X	24X1,5	G 3/8" M
82922AD06	Angle lockshield for copper pipe, multilayer and Pe-X	24X1,5	G 1/2" M
82942AC06	Angle lockshield for copper pipe, multilayer and Pe-X	G 1/2" M	G 3/8" M
82942AD06	Angle lockshield for copper pipe, multilayer and Pe-X	G 1/2" M	G 1/2" M
82925AC06	Straight lockshield for copper pipe, multilayer and Pe-X	24X1,5	G 3/8" M
82925AD06	Straight lockshield for copper pipe, multilayer and Pe-X	24X1,5	G 1/2" M
82945AC06	Straight lockshield for copper pipe, multilayer and Pe-X	G 1/2" M	G 3/8" M
82945AD06	Straight lockshield for copper pipe, multilayer and Pe-X	G 1/2" M	G 1/2" M

LOCKSHIELDS FOR IRON PIPE

		Connection	Radiator
82952AC06	Angle lockshield for iron pipe	G 3/8" F	G 3/8" M
82952AD06	Angle lockshield for iron pipe	G 1/2" F	G 1/2" M
82952AE06	Angle lockshield for iron pipe	G 3/4" F	G 3/4" M
82955AC06	Straight lockshield for iron pipe	G 3/8" F	G 3/8" M
82955AD06	Straight lockshield for iron pipe	G 1/2" F	G 1/2" M
82955AE06	Straight lockshield for iron pipe	G 3/4" F	G 3/4" M

TECHNICAL FEATURES

Technical data

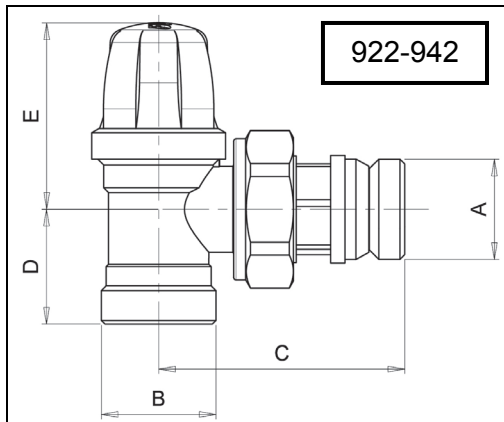
Fluids used:	Water and glycol solutions
Max glycol rate:	30%
Max working pressure:	10 Bar
Max differential pressure:	1 Bar
Heat transfer fluid temperature:	5÷120 °C

Materials

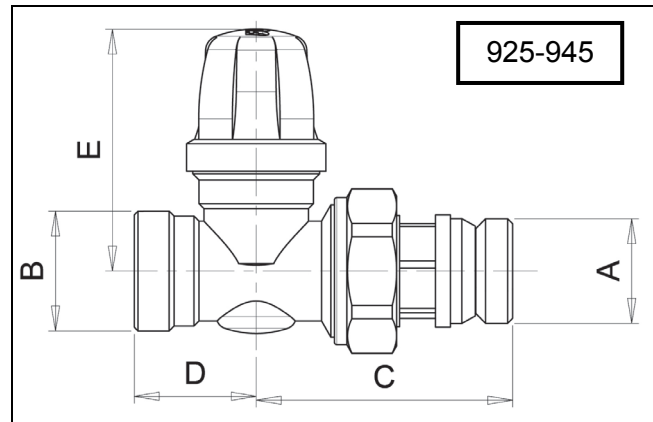
Body, nut and union:	Brass CW617N - UNI 12165 - Nickel
Control rod and nut:	Brass CW617N - UNI 12164
Hydraulic seals:	EPDM Peroxide
Protection cover:	ABS white

CODE AND DIMENSIONS

LOCKSHIELDS FOR COPPER PIPE, MULTILAYER AND Pe-X

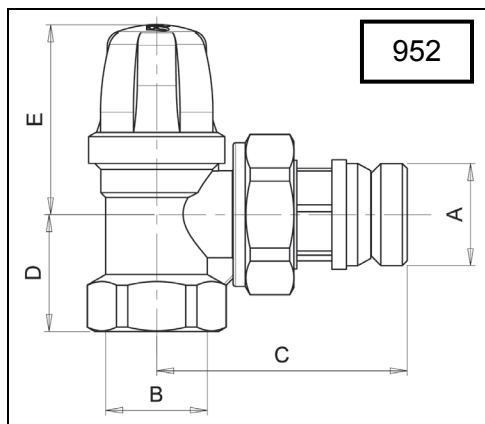


CODE	A	B	C	D	E
82922AC06	G3/8" M	24X1,5	53	24	39
82922AD06	G1/2" M	24X1,5	54,5	24	39
82942AC06	G3/8" M	G1/2" M	53	24	39
82942AD06	G1/2" M	G1/2" M	54,5	24	39

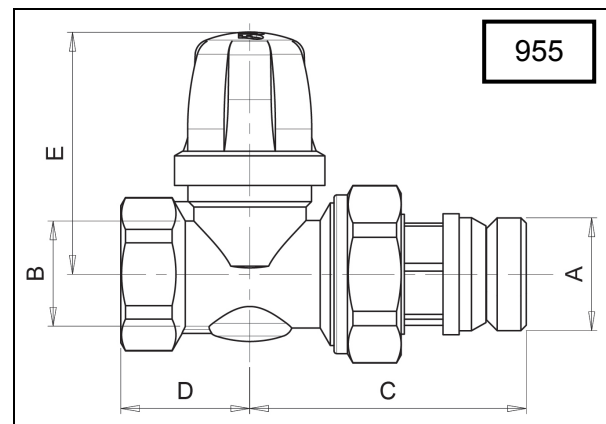


CODE	A	B	C	D	E
82925AC06	G3/8" M	24X1,5	50	24,5	48,5
82925AD06	G1/2" M	24X1,5	51,5	24,5	48,5
82945AC06	G3/8" M	G1/2" M	50	24,5	48,5
82945AD06	G1/2" M	G1/2" M	52	24,5	48,5

LOCKSHIELDS FOR IRON PIPE



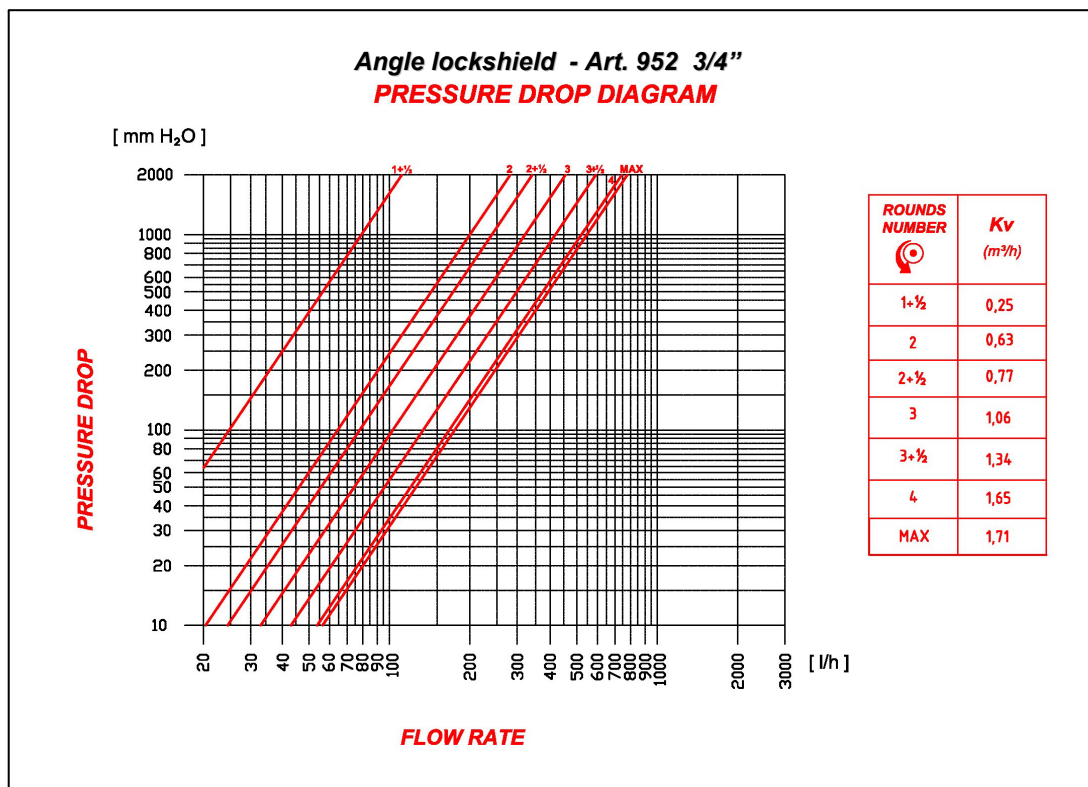
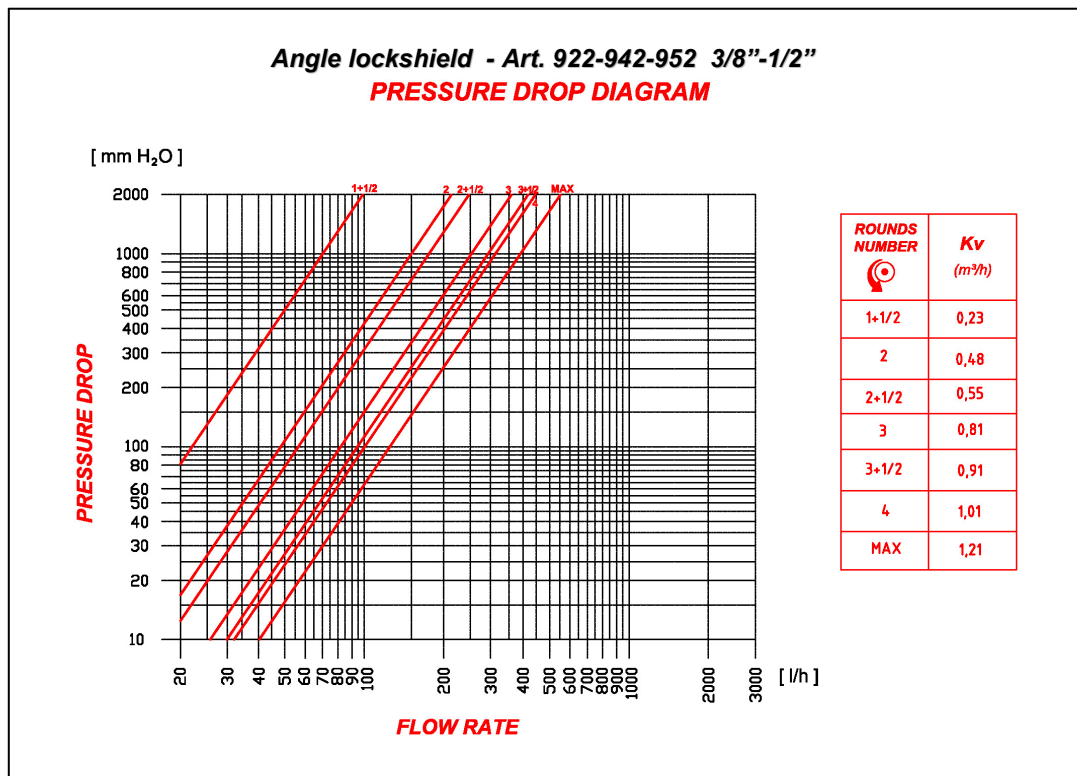
CODE	A	B	C	D	E
82952AC06	G3/8"	G3/8"	53	23	38
82952AD06	G1/2"	G1/2"	54	24	39
82952AE06	G3/4"	G3/4"	62	24,5	41



CODE	A	B	C	D	E
82955AC06	G3/8"	G3/8"	50	23	48
82955AD06	G1/2"	G1/2"	52	24	48
82955AE06	G3/4"	G3/4"	58,5	25	48

HYDRAULIC CHARACTERISTICS

ANGLE LOCKSHIELDS



STRAIGHT LOCKSHIELDS

